

# Examination Bench

Hydraulic variable height bed



COUCHES

Frequent use

Emergency Room  
Physiotherapy  
Medical Centre  
Outpatient clinic  
Diagnostic Ultrasound  
Endoscopic Examinations



**SOLID**



**STABLE**

professional support for medical treatment



[www.gardhenbalance.it](http://www.gardhenbalance.it)



# SOLID & STABLE

The **examination couch** consists of a 2-section (back and body) and 1-joint structure, with back section and variable height with mechanical movements



### BACKREST SECTION

manually adjustable  
by device  
of gas spring

### BODY SECTION

### WHEELS

4 wheels diam.125 with brake  
controlled 2+2 by brake pedal  
placed in each side foot area and  
head area.



## Standard equipment

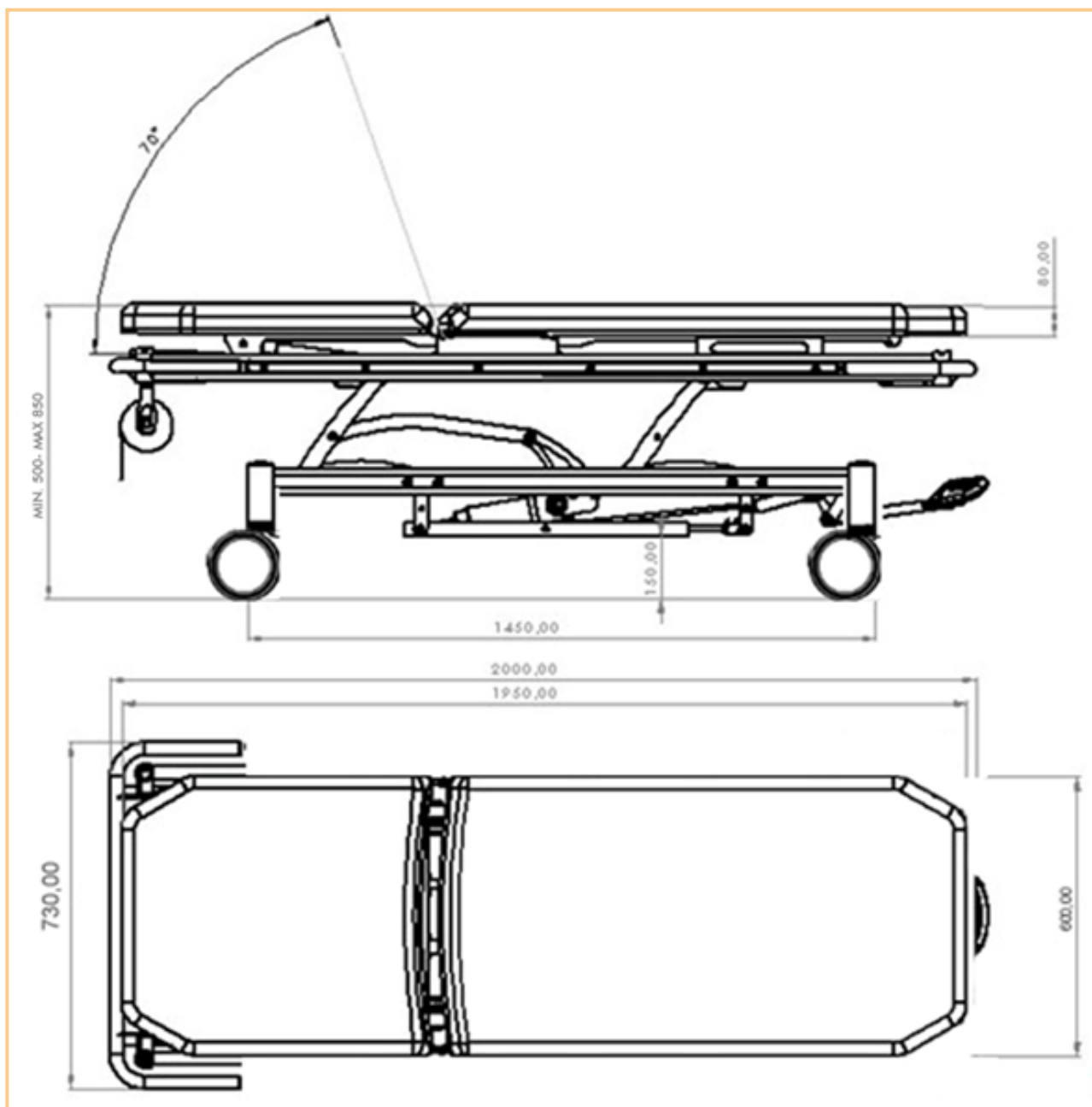
- Plan divided into 2 sections -1 joint.
- Reinforced frame made of steel painted with thermosetting epoxy powder enriched with antibacterial, color customization upon request.
- Back section manually adjustable by gas spring device. Such movement is achieved by bilateral lever located under the head-side backrest.
- Height adjustment of the couch top from mm 540 to mm 880 by foot pedal-operated hydraulic pump located at the foot side.
- Trendelenburg position reached by special lever located at the foot side.
- 4 wheels Ø 125 with brake controlled 2+2 by brake pedal placed in each side foot area and head area.
- Fire-retardant non-deformable polyurethane foam padding 8cm thick
- Covered in flame-retardant coated fabric (latex free, class 1IM), washable and disinfectable. The lying surface is free of seams, gaps or accumulation points.
- Paper roll holder built into the back of the crib, made of steel and is extremely durable.

## Data sheet

CND Code	<b>V080603</b>
UDI-DI di base	<b>80557742062020007ER</b>
No. progressive/R	<b>2439073/R</b>
ID Product	<b>62020007</b>
Wheels	4 wheels diameter 125 with brake
Max load capacity	180 kg
Safe Workload	215 kg



## Dimensional



### Gardhen Bilance S.r.l.

Via G. Luraghi c/o Consorzio Il Sole - lotto S - 80038 Pomigliano d'Arco (NA) - Italy

Tel. +39.081.8692160 pbx - Fax +39.081.8692460

E-mail: [info@gardhenbilance.it](mailto:info@gardhenbilance.it) - PEC: [gardhenbilance@pec.it](mailto:gardhenbilance@pec.it)

Visit our website [www.gardhenbilance.it](http://www.gardhenbilance.it) / Follow us on 

Images reproduced in this sheet are for reference only and dimensional values are nominal. It is the manufacturer's right to make changes to the designs without prior notice. Refer to the optional components catalog and/or commercial proposals for identification of standard equipment and selection of any additional components. In case of discrepant data, the contents of the commercial proposals shall prevail. In the event that no preferences are expressed regarding the colors of the devices ordered, the same, will be made with the colors shown in the data sheet/brochure.

Dep. EN 384 rev. 30/04/2024